

# SET FRAME H-MODULE ASSEMBLY MANUAL



Assembling this SET frame module is very easy. You only need the enclosed Allen key. After unpacking, lay all the parts on the floor and follow the instructions below. More information about our SET frame modules can be found by scanning the qr code at the bottom of this page.

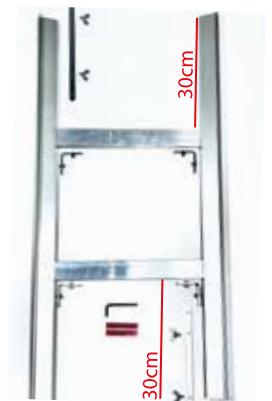
1



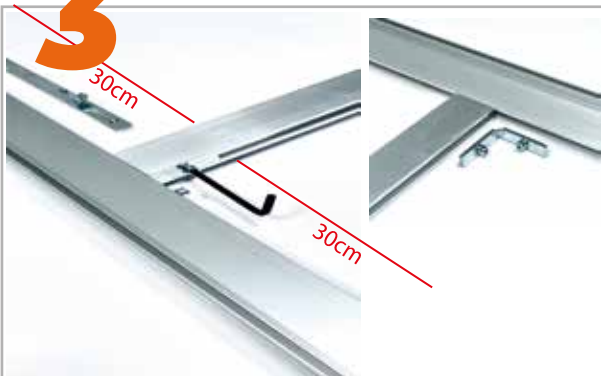
Package contents.

2

Put all parts in this order on the floor. The supports come 30cm from the top and 30 cm from the bottom.



3



Attach the supports with the keder angle profiles (30 cm from top & bottom).

4



Slide the keder profiles into the frame at the top left and bottom right of the frame.

5



Attach the stickers "do not remove" behind lowest wingnut when strip is exactly inside the frame.

Your SET Frame H-Profile is ready!



**WENTEX**

creative textile solutions

# SET FRAME A-MODULE ASSEMBLY MANUAL



Assembling this SET frame module is very easy. You only need the enclosed Allen key. After unpacking, lay all the parts on the floor and follow the instructions below. (The 25 cm A-module has no middle support.) More information about our SET frame modules can be found by scanning the qr code at the bottom of this page.

1



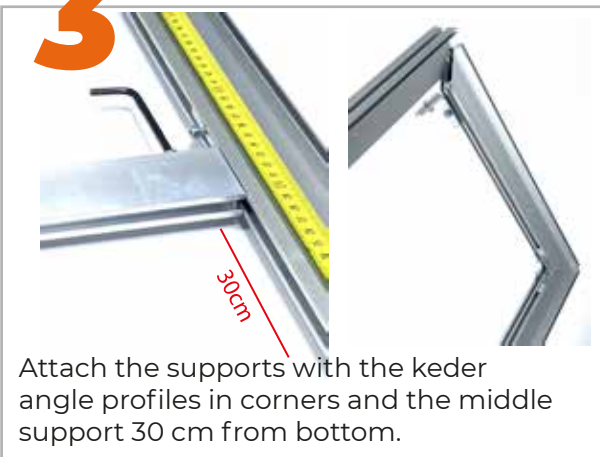
Package contents.

2



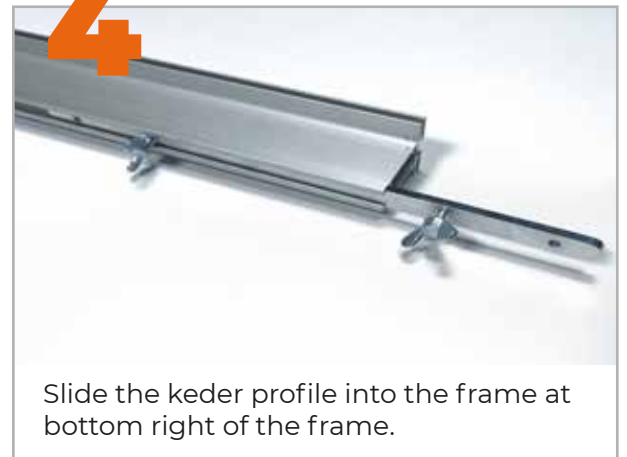
Put all parts in this order on the floor. The support comes 30 cm from the bottom. (The 25 cm module has no middle support.)

3



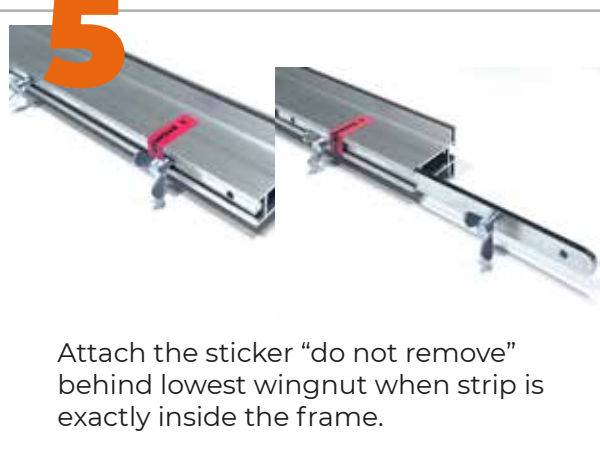
Attach the supports with the keder angle profiles in corners and the middle support 30 cm from bottom.

4



Slide the keder profile into the frame at bottom right of the frame.

5



Attach the sticker "do not remove" behind lowest wingnut when strip is exactly inside the frame.

Your SET Frame A-Profile is ready!



**WENTEX**  
creative textile solutions